



KYBURZ DXCargo: The new definition of transportation

Changing logistics requirements in urban areas create new challenges. The KYBURZ DXCargo from KYBURZ Switzerland AG provides a solution by enabling reliable, clean and safe collection and delivery with a low total cost of ownership.

Proven Technology

The KYBURZ DXCargo is based on the same reliable technology as the very successful KYBURZ DXP, which is widely deployed at postal institutions all over the world.

KYBURZ is well-known for its product and service quality as well as the reliability and safety of its products.

Additional Load

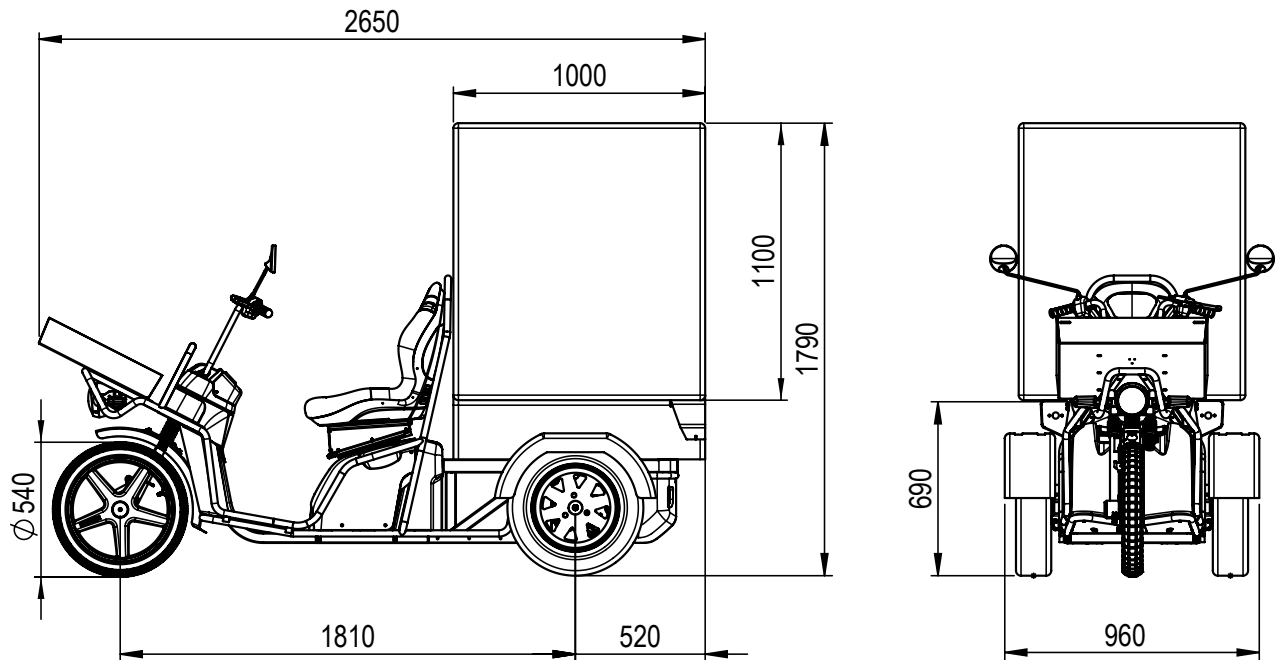
Thanks to the KYBURZ DXCargo's larger wheelbase, the rugged chassis can be equipped with different superstructures for a volume of 1 m³ and a payload of up to 200 kg. These allow easy transportation of small packages, fresh products or tools and equipment for craftsmen.

Direct and close to the destination

The KYBURZ DXCargo requires a limited amount of parking space. It is therefore possible to park it close to its destination without losing time searching for a parking spot.

Comfort and Safety

The KYBURZ DXCargo offers a safe and comfortable ride. Its rear camera ensures confident manoeuvring even in narrow places. The seat comes with a built-in contact switch providing additional safety. An optional roof offers protection against sun, wind and rain.



KYBURZ DXCargo: The new definition of transportation

Features

The KYBURZ DXCargo is equipped with lithium 200 Ah batteries and includes an on-board battery charger.

The serial color is elegant white. Logos can be added at customer request.

The driving performance

Maximum speed	45 kph
Climb performance	up to 30 %
Range	up to 100 km

Technology

Batteries	LiFePO ₄ 200 Ah / 26 V
Charging time	8 hours
Motor	AC 24 V / 3,7 kW

Dimensions

length / width / height	265 / 96 / 179 cm
Dead weight.	375 kg incl. batteries
Payload capacity	200 kg
Load capacity	1 m ³

Prices

KYBURZ DXCargo	on request
----------------	------------

Options

Roof	on request
Box with foldable roof	on request
Construction rear box	on request
Driving glove	on request
Knee blanket	on request

Further options on request.
Special constructions by arrangement.

The KYBURZ DXCargo is in development.
During the type approval process, technical specifications may be subject to change.
Version: May 2018 / This information is subject to errors and changes.